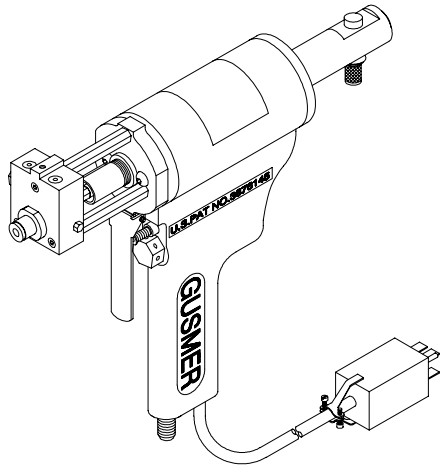


GUSMER[®] CORPORATION

"Teamwork & Communication"



Model AR-C/D Pour Gun

Parts Identification Manual 4943-ID

October 1, 1999

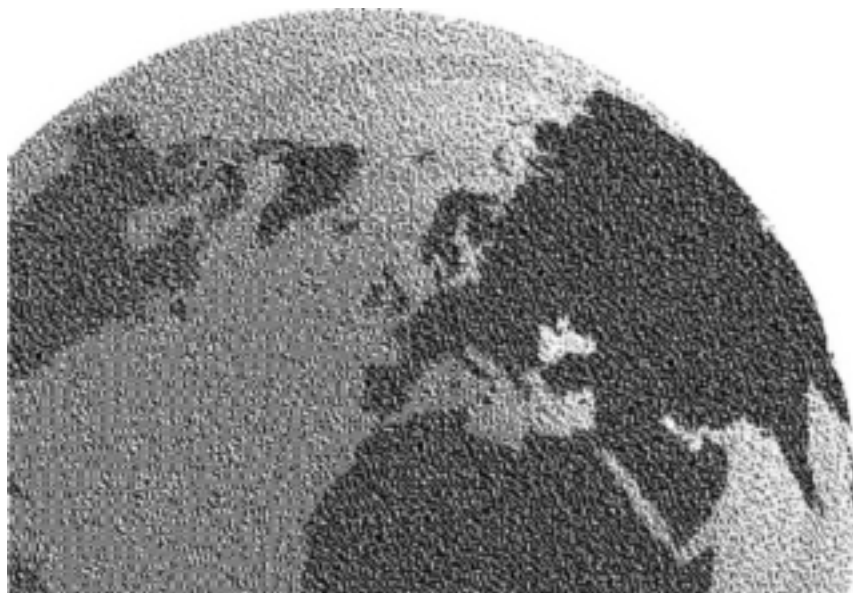
Issue 3

GUSMER CORPORATION[®]

A Subsidiary of Gusmer Machinery Group, Inc.
One Gusmer Drive
Lakewood, New Jersey, USA 08701-8055
Toll Free 1-800-367-4767 (USA & Canada)
Phone: (732) 370-9000
Fax: (732) 905-8968

Copyright 1999, GUSMER CORPORATION[®]

<http://www.gusmer.com>



NOTICE: *This manual contains important information for your GUSMER equipment. Read and retain for future reference.*

***NOTICE:** The equipment described in this technical manual must only be operated or serviced by properly trained individuals, thoroughly familiar with the operating instructions and limitations of the equipment. For technical service, call your local distributor. Call: 1-800-FOR-GSMR (1-800-367-4767) for the name and telephone number of your local distributor.*

***NOTICE:** All statements, information and data given herein are believed to be accurate and reliable but are presented without guarantee, warranty or responsibility of any kind expressed or implied. Statements or suggestions concerning possible use of GUSMER equipment are made without representation or warranty that any such use is free of patent infringement, and are not recommendations to infringe any patent. The user should not assume that all safety measures are indicated or that other measures may not be required*

CONTENTS

WARRANTY.....5

ASSEMBLIES6

 AR-C/D GUN ASSEMBLY.....6

 AR-C/D AUTO GUN ASSEMBLY (4100 SERIES).....8

 AR-C/D AUTO GUN ASSEMBLY (14100 SERIES).....10

 SCHEDULE OF PARTS.....12

 AR-C/D GUN HANDLE ASSEMBLY14

 AR-C/D GUN HANDLE ASSEMBLY15

 AR-C/D AUTO GUN HANDLE ASSEMBLY16

 AIR CYLINDER ASSEMBLY18

 COUPLING BLOCK ASSEMBLY.....19

 COUPLING BLOCK ASSEMBLY.....20

INSTRUCTION MANUAL DISCREPANCY REPORT.....21

LIST OF FIGURES

FIGURE 1. AR-C/D GUN ASSEMBLY (PART No. 4100C-C, 4100D-C, 4100D-D), EXPLODED VIEW	6
FIGURE 2. AR-C/D AUTO GUN ASSEMBLY (PART No. 4100G-C, 4100G-D), EXPLODED VIEW	8
FIGURE 3. AR-C/D AUTO GUN ASSEMBLY (PART No. 14100-C, 14100-D), EXPLODED VIEW	10
FIGURE 4. AR-C/D GUN HANDLE-ASSEMBLY (PART No. 4111D) EXPLODED VIEW.....	14
FIGURE 5. AR-C/D GUN HANDLE ASSEMBLY (PART No. 4111B-C(250), 4111B-D(375)) EXPLODED VIEW	15
FIGURE 6. AUTO AR-C/D-GUN HANDLE ASSEMBLY (PART No. 14111) EXPLODED VIEW.....	16
FIGURE 7. AIR CYLINDER ASSEMBLY (PART No. 4113A-C, 4113A-D EXPLODED VIEW.....	18
FIGURE 8. COUPLING BLOCK ASSEMBLY (PART No. 5140-10) EXPLODED VIEW	19
FIGURE 9. COUPLING BLOCK ASSEMBLY (PART No. 5140-90) EXPLODED VIEW	20

LIST OF TABLES

TABLE 1. AR-C/D GUN ASSEMBLY, (PART No. 4100C-C, 4100D-C, 4100D-D), PARTS	7
TABLE 2. AR-C/D AUTO GUN ASSEMBLY, (PART No. 4100G-C, 4100G-D), PARTS.....	9
TABLE 3. AR-C/D AUTO GUN ASSEMBLY, (PART No. 14100-C, 14100-D), PARTS	11
TABLE 4. SCHEDULE OF PARTS FOR AR-C/D GUN	12
TABLE 5. SCHEDULE OF PARTS FOR AUTO AR-C/D GUN (4100 SERIES).....	12
TABLE 6. SCHEDULE OF PARTS FOR AUTO AR-C/D GUN (14100 SERIES).....	13
TABLE 7. AR-C/D GUN HANDLE ASSEMBLY, (PART No. 4111D), PARTS	14
TABLE 8. AR-C/D GUN HANDLE ASSEMBLY, (PART No. 4111B-C(250), 4111B-D(375)), PARTS.....	15
TABLE 9. AUTO AR-C/D GUN HANDLE ASSEMBLY, (PART No. 14111), PARTS	17
TABLE 10. AIR CYLINDER ASSEMBLY, (PART No. 4113A-C, 4113A-D), PARTS.....	18
TABLE 11. COUPLING BLOCK ASSEMBLY, (PART No. 5140-10.), PARTS.....	19
TABLE 12. COUPLING BLOCK ASSEMBLY, (PART No. 5140-90), PARTS.....	20

WARRANTY

Gusmer Corporation (Gusmer) provides a limited warranty to the original purchaser (Customer) of Gusmer manufactured parts and equipment (Product) against any defects in material or workmanship for a period of one year from the date of shipment from Gusmer facilities.

In the event Product is suspected to be defective in material or workmanship, it must be returned to Gusmer, freight prepaid. If Product is found to be defective in material or workmanship, as determined solely by Gusmer, Gusmer will issue full credit to Customer for the freight charges incurred in returning the defective Product, and either credit will be issued for the replacement cost of the Product or a replacement part will be forwarded no-charge, freight prepaid to Customer.

This warranty shall not apply to Product Gusmer finds to be defective resulting from: installation, use, maintenance, or procedures not accomplished in accordance with our instructions; normal wear; accident; negligence; alterations not authorized in writing by Gusmer; use of "look alike" parts not manufactured or supplied by Gusmer; or Product used in conjunction with any other manufacturer's pumping or proportioning equipment. Further, the terms and conditions of this warranty shall not apply to services or repairs made to Product by any third party not authorized in writing by Gusmer. For such Product, a written estimate will be submitted to Customer at a nominal service charge, itemizing the cost for repair. Disposition of Product will be done in accordance with the terms stated on the written estimate.

The warranty provisions applied to product that are not manufactured by Gusmer will be solely in accordance with the warranty provided by the original manufacturer of the product.

GUSMER MAKES NO WARRANTY WHATSOEVER AS TO THE MERCHANTABILITY OF, OR SUITABILITY FOR, ITS PRODUCT TO PERFORM ANY PARTICULAR PURPOSE. CREDIT FOR, OR REPLACEMENT OF, PRODUCT DEFECTIVE IN MATERIAL OR WORKMANSHIP SHALL CONSTITUTE COMPLETE FULFILLMENT OF GUSMER OBLIGATIONS TO CUSTOMER. NO OTHER WARRANTY, EXPRESSED OR IMPLIED ON ANY PRODUCT IT MANUFACTURES AND/OR SELLS, WILL BE RECOGNIZED BY GUSMER UNLESS SAID WARRANTY IS IN WRITING AND APPROVED BY AN OFFICER OF GUSMER.

Under no circumstances shall Gusmer be liable for loss of prospective or speculative profits, or special indirect, incidental or consequential damages. Further, Gusmer shall have no liability for any expenses including, but not limited to personal injury or property damage resulting from failure of performance of the product, use of the product, or application of the material dispensed through the product. Any information provided by Gusmer that is based on data received from a third source, or that pertains to product not manufactured by Gusmer, while believed to be accurate and reliable, is presented without guarantee, warranty, or responsibility of any kind, expressed or implied.

Gusmer through the sale, lease, or rental of Product in no way expresses or implies a license for the use of, nor encourages the infringement of any patents or licenses.

To insure proper validation of your warranty, please complete the warranty card and return it to Gusmer within two weeks of receipt of equipment.

Revised 11/12/98

ASSEMBLIES

AR-C/D GUN ASSEMBLY

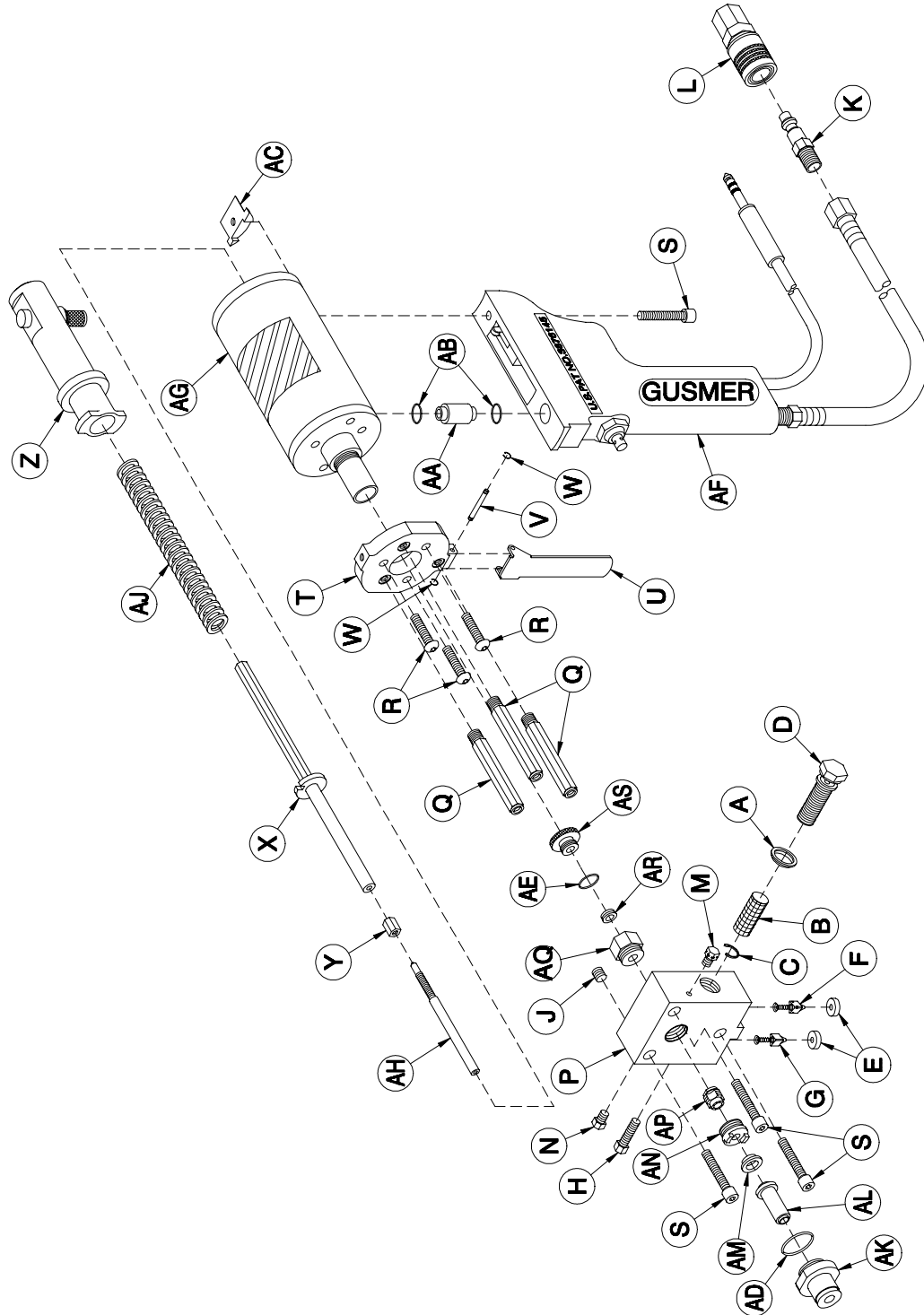


Figure 1 AR-C/D Gun Assembly (Part No. 4100C-C, 4100D-C, 4100D-D), Exploded View

TABLE 1. AR-C/D GUN ASSEMBLY, (PART No. 4100C-C, 4100D-C, 4100D-D), PARTS

Reference Letter	Part No.	Description	Qty
A	1131-4	Screen Screw Seal	1
B	1131A-2	Gun Block Screen -80 Mesh	1
C	1131A-3	Tru Arc 2000-50	1
D	1131C-1	Gun Block Screen Screw	1
E	3101-1-PKG	Coupling Block Gasket - 2/Pkg	2
F	3104-A	A-Check Valve	1
G	3104-R	R-Check Valve	1
H	3131-4	Mounting Screw	1
J	3133	Flush Seal Pipe Plug	1
K	3145-1	Coupler Plug	1
L	3145-2	Coupler	1
M	3156-A	A - Port Closure Screw	1
N	3156-R	R - Port Closure Screw	1
P	4101	Gun Block	1
Q	4110-2	Gun Block Spacer W/ Stud	3
R	4110-4	Button Head Cap Screw	3
S	4110-5	Socket Head Cap Screw	4
T	4110A-1	Gun Handle Mounting Plate	1
U	4112-1	Trigger Lever	1
V	4112-2	Mounting Pin	1
W	4112-3	Snap Ring	2
X	4114-1	Valving Rod Shaft	1
Y	4114-3	VR Lock Collar	1
Z	4118C	Spring Retainer Case Assembly (Includes Adjustment Stop P/N 4118-2, O-Ring P/N 4118-3, and Snap Ring P/N 4118-4)	1
AA	4124-1	Connecting Coupling	1
AB	4124-2	O-Ring	2
AC	4125	Notched Lug	1
AD	4150-1	O-Ring	1
AE	4155-4	O-Ring	1
AF	See Table 4	Gun Handle Assembly	1
AG	See Table 4	Air Cylinder Assembly	1
AH	See Table 4	V/R Sleeve	1
AJ	See Table 4	V/R Closure Spring	1
AK	See Table 4	Pattern Control Tip	1
AL	See Table 4	Front Packing	1
AM	See Table 4	Front Impinger	1
AN	See Table 4	Throat	1
AP	See Table 4	Rear Impinger	1
AQ	See Table 4	Resin Seal Retainer	1
AR	See Table 4	R-Packing	1
AS	See Table 4	Resin Seal Screw	1

TABLE 2. AR-C/D AUTO GUN ASSEMBLY, (PART No. 4100G-C, 4100G-D), PARTS

Reference Letter	Part No.	Description	Qty
A	1131-4	Screen Screw Seal	1
B	1131A-2	Gun Block Screen -80 Mesh	1
C	1131A-3	Tru Arc 2000-50	1
D	1131C-1	Gun Block Screen Screw	1
E	3101-1-PKG	Coupling Block Gasket - 2/Pkg	2
F	3104-A	A-Check Valve	1
G	3104-R	R-Check Valve	1
H	3131-4	Mounting Screw	1
J	3133	Flush Seal Pipe Plug	1
K	3145-1	Coupler Plug	1
L	3145-2	Coupler	1
M	3156-A	A - Port Closure Screw	1
N	3156-R	R - Port Closure Screw	1
P	4101	Gun Block	1
Q	4110-2	Gun Block Spacer W/ Stud	3
R	4110-4	Button Head Cap Screw	3
S	4110A-1	Gun Handle Mounting Plate	1
T	4112-1	Trigger Lever	1
U	4112-2	Mounting Pin	1
V	4112-3	Snap Ring	2
W	4114-1	Valving Rod Shaft	1
X	4114-3	VR Lock Collar	1
Y	4118C	Spring Retainer Case Assembly (Includes Adjustment Stop P/N 4118-2, O-Ring P/N 4118-3, and Snap Ring P/N 4118-4)	1
Z	4124-1	Connecting Coupling	1
AA	4124-2	O-Ring	2
AB	4125	Notched Lug	1
AC	4150-1	O-Ring	1
AD	4155-4	O-Ring	1
AE	14110-5	Socket Head Cap Screw	4
AF	14111	Gun Handle Assembly	1
AG	See Table 5	Air Cylinder Assembly	1
AH	See Table 5	V/R Sleeve	1
AJ	See Table 5	V/R Closure Spring	1
AK	See Table 5	Pattern Control Tip	1
AL	See Table 5	Front Packing	1
AM	See Table 5	Front Impinger	1
AN	See Table 5	Throat	1
AP	See Table 5	Rear Impinger	1
AQ	See Table 5	Resin Seal Retainer	1
AR	See Table 5	R-Packing	1
AS	See Table 5	Resin Seal Screw	1

AR-C/D AUTO GUN ASSEMBLY (14100 SERIES)

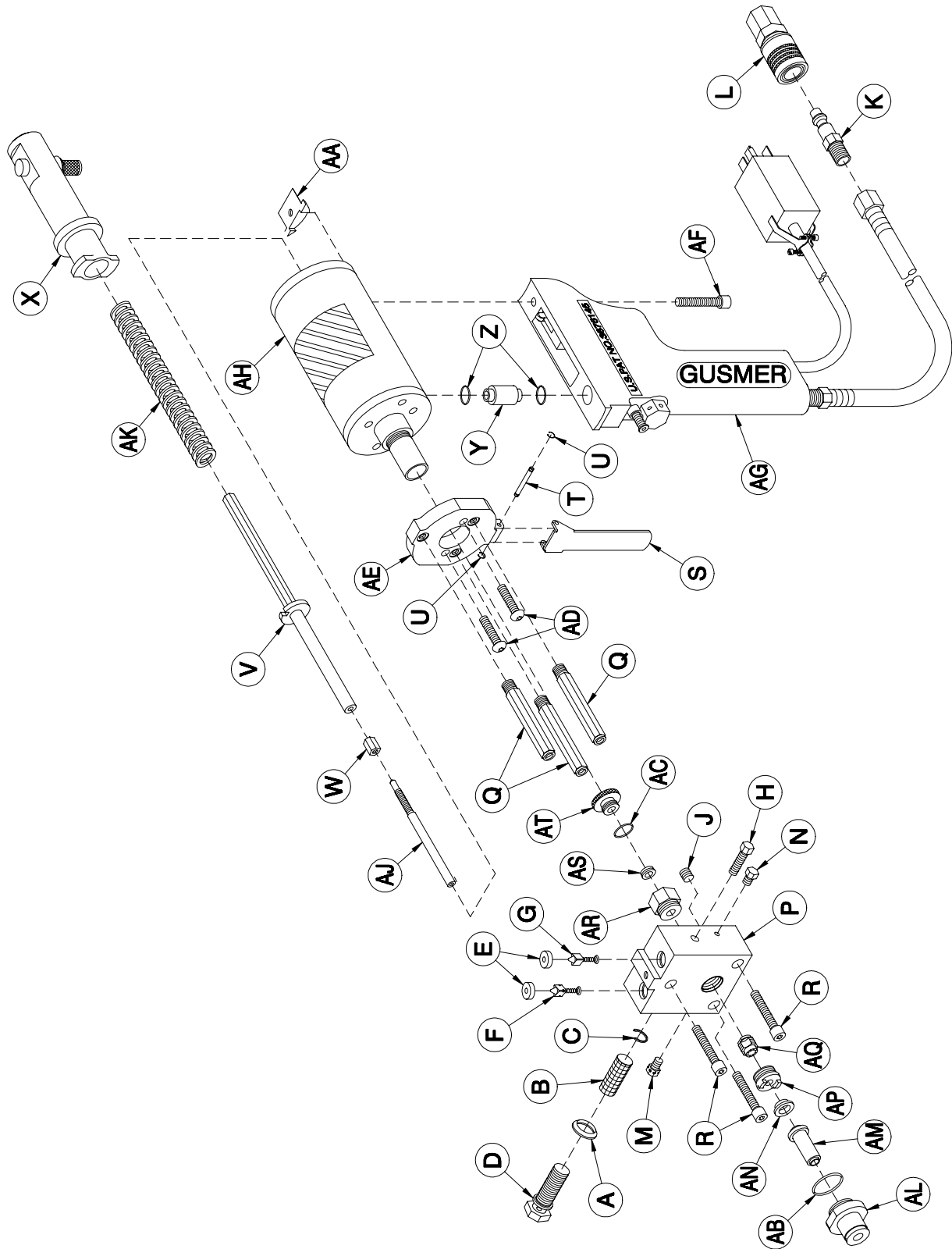


Figure 3 AR-C/D Auto Gun Assembly (Part No. 14100-C, 14100-D), Exploded View

TABLE 3. AR-C/D AUTO GUN ASSEMBLY, (PART NO. 14100-C, 14100-D), PARTS

Reference Letter	Part No.	Description	Qty
A	1131-4	Screen Screw Seal	1
B	1131A-2	Gun Block Screen -80 Mesh	1
C	1131A-3	Snap Ring	1
D	1131C-1	Gun Block Screen Screw	1
E	3101-1-PKG	Coupling Block Gasket - 2/Pkg	2
F	3104-A	A-Check Valve	1
G	3104-R	R-Check Valve	1
H	3131-4	Mounting Screw	1
J	3133	Flush Seal Pipe Plug	1
K	3145-1	Coupler Plug	1
L	3145-2	Coupler	1
M	3156-A	A - Port Closure Screw	1
N	3156-R	R - Port Closure Screw	1
P	4101	Gun Block	1
Q	4110-2	Gun Block Spacer W/ Stud	3
R	4110-5	Socket Head Cap Screw	3
S	4112-1	Trigger Lever	1
T	4112-2	Mounting Pin	1
U	4112-3	Snap Ring	2
V	4114-1	Valving Rod Shaft	1
W	4114-3	VR Lock Collar	1
X	4118C	Spring Retainer Case Assembly (Includes Adjustment Stop P/N 4118-2, O-Ring P/N 4118-3, and Snap Ring P/N 4118-4)	1
Y	4124-1	Connecting Coupling	1
Z	4124-2	O-Ring	2
AA	4125	Notched Lug	1
AB	4150-1	O-Ring	1
AC	4155-4	O-Ring	1
AD	12113-3	Button Head Cap Screw (Nyloc)	2
AE	14110	Gun Handle Mounting Plate	1
AF	14110-5	Socket Head Cap Screw (Nyloc)	1
AG	14111	Auto AR-C/D Handle Assembly	1
AH	See Table 6	Air Cylinder Assembly	1
AJ	See Table 6	V/R Sleeve	1
AK	See Table 6	V/R Closure Spring	1
AL	See Table 6	Pattern Control Tip	1
AM	See Table 6	Front Packing	1
AN	See Table 6	Front Impinger	1
AP	See Table 6	Throat	1
AQ	See Table 6	Rear Impinger	1
AR	See Table 6	Resin Seal Retainer	1
AS	See Table 6	R-Packing	1
AT	See Table 6	Resin Seal Screw	1

SCHEDULE OF PARTS

TABLE 4. SCHEDULE OF PARTS FOR AR-C/D GUN

Symbol	4100C-C <i>(AR-C w/ Harness) (250)</i>	4100D-C <i>(AR-C w/o Harness) (250)</i>	4100D-D <i>(AR-D w/o Harness) (375)</i>
AF	4111B-C	4111D	4111D
AG	4113A-C	4113A-C	4113A-D
AH	4114A-2-C	4114A-2-C	4114A-2-D
AJ	4122-C	4122-C	4122-D
AK	4150C-250-C	4150C-250-C	4150A-375-D
AL	4151B-C	4151B-C	4151B-D
AM	4152A-C	4152A-C	4152A-D
AN	4153-C	4153-C	4153-D
AP	4154-C	4154-C	4154-D
AQ	4156-1-C	4156-1-C	4156-1-D
AR	4156-2-C	4156-2-C	4156-2-D
AS	4156A-3-C	4156A-3-C	4156-3-D

TABLE 5. SCHEDULE OF PARTS FOR AUTO AR-C/D GUN (4100 SERIES)

Symbol	4100G-C <i>(Auto AR-C (250) Lower Mount)</i>	4100G-D <i>(Auto AR-D (375) Lower Mount)</i>
AG	4113A-C	4113A-D
AH	4114A-2-C	4114A-2-D
AJ	4122-C	4122-D
AK	4150C-250-C	4150A-375-D
AL	4151B-C	4151B-D
AM	4152A-C	4152A-D
AN	4153-C	4153-D
AP	4154-C	4154-D
AQ	4156-1-C	4156-1-D
AR	4156-2-C	4156-2-D
AS	4156A-3-C	4156-3-D

TABLE 6. SCHEDULE OF PARTS FOR AUTO AR-C/D GUN (14100 SERIES)

Symbol	14100-C <i>Auto AR-C (250) Top Mount</i>	14100-D <i>Auto AR-D (375) Top Mount</i>
AH	4113A-C	4113A-D
AJ	4114A-2-C	4114A-2-D
AK	4122-C	4122-D
AL	4150C-250-C	4150A-375-D
AM	4151B-C	4151B-D
AN	4152A-C	4152A-D
AP	4153-C	4153-D
AQ	4154-C	4154-D
AR	4156-1-C	4156-1-D
AS	4156-2-C	4156-2-D
AT	4156A-3-C	4156-3-D

AR-C/D GUN HANDLE ASSEMBLY

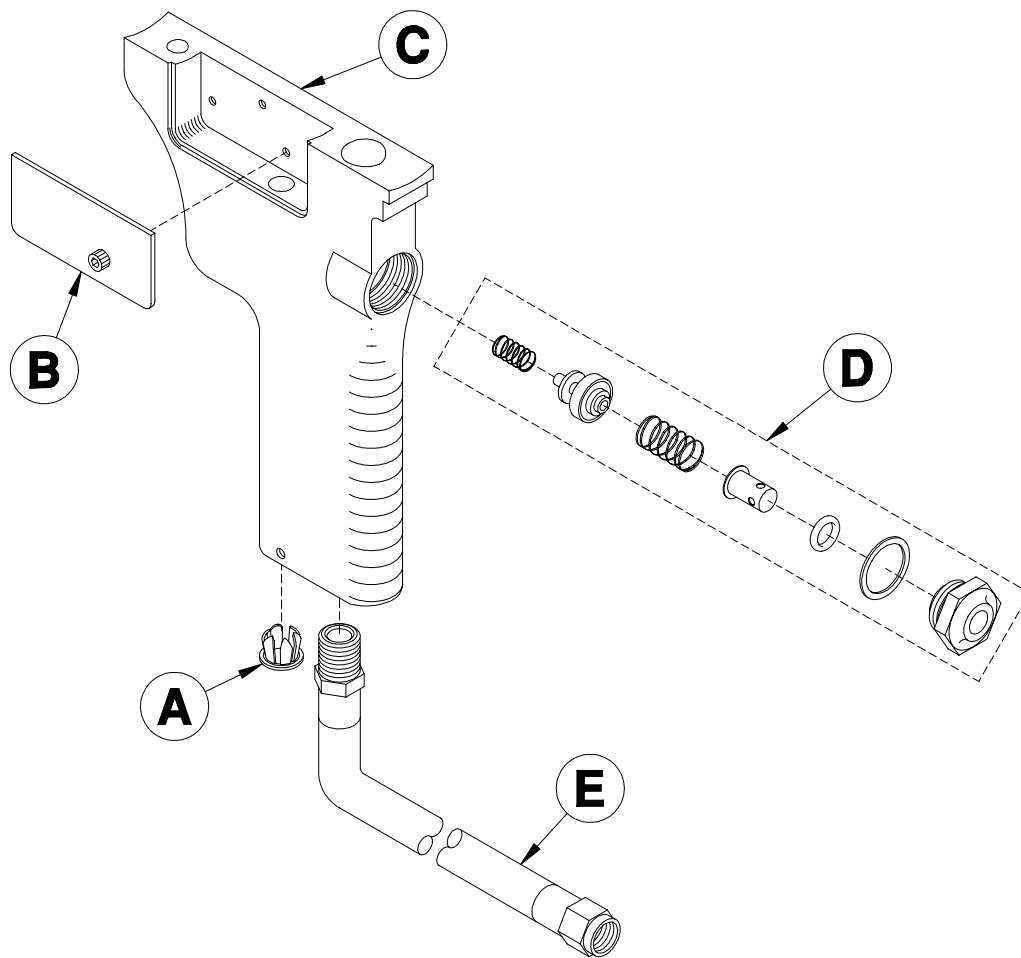


Figure 4. AR-C/D Gun Handle-Assembly (Part No. 4111D) Exploded View

TABLE 7. AR-C/D GUN HANDLE ASSEMBLY, (PART NO. 4111D), PARTS

Reference Letter	Part No.	Description	Qty
A	4111-9	Hole Plug	1
B	4111A-3	Gun Switch Cover W/ Mounting Screw	1
C	4111B-1	Gun Handle	1
D	4123	Air Valve Assembly	1
E	4130	Air Hose	1
Repair Kits			
Not Shown	4123-1	Air Valve Repair Kit (Includes Tru-Arc P/N 4112-3)	1

AR-C/D GUN HANDLE ASSEMBLY

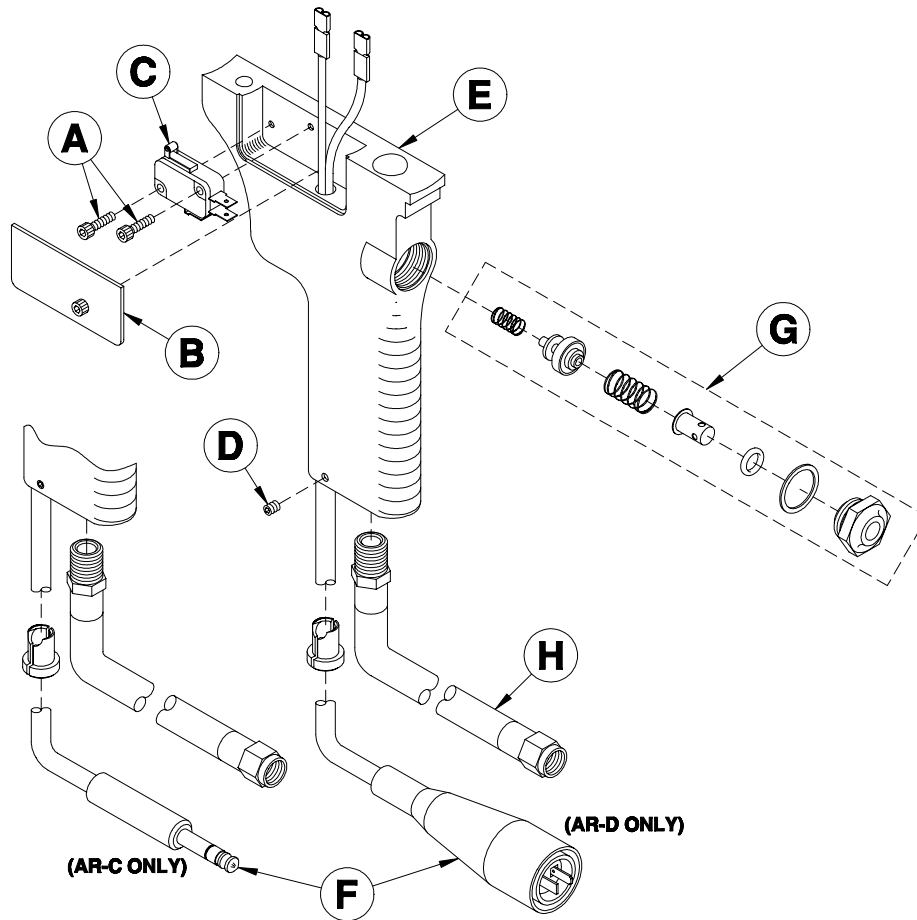


Figure 5. AR-C/D Gun Handle Assembly (Part No. 4111B-C(250), 4111B-D(375)) Exploded View

TABLE 8. AR-C/D GUN HANDLE ASSEMBLY, (PART NO. 4111B-C(250), 4111B-D(375)), PARTS

Reference Letter	Part No.	Description	Qty
A	4111-5-2	Gun Switch Mounting Screw	2
B	4111A-3	Gun Switch Cover W/ Mounting Screw	1
C	4111A-5-1	Gun Switch	1
D	4111A-8	Socket Head Set Screw	1
E	4111B-1	Gun Handle	1
F	4111B-6-C	250 Gun Wire Harness Assembly (AR-C ONLY)	1
	4111B-6-D	375 Gun Wire Harness Assembly (AR-D ONLY)	1
G	4123	Air Valve Assembly	1
H	4130	Air Hose	1
Repair Kits			
Not Shown	4123-1	Air Valve repair Kits (Includes Tru-Arc P/N 4112-3)	1

AR-C/D AUTO GUN HANDLE ASSEMBLY

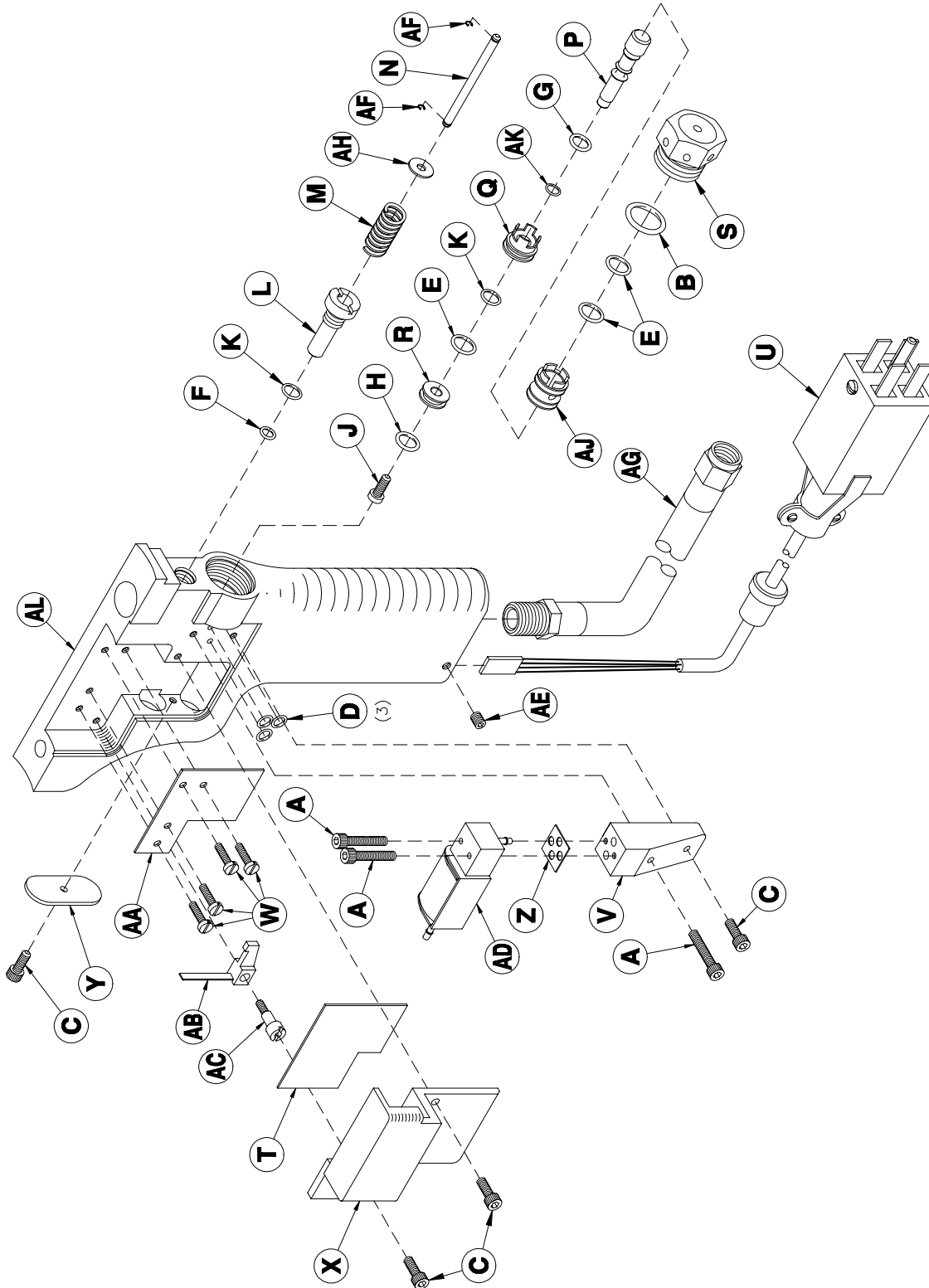


Figure 6. Auto AR-C/D-Gun Handle Assembly (Part No. 14111) Exploded View

TABLE 9. AUTO AR-C/D GUN HANDLE ASSEMBLY, (PART NO. 14111), PARTS

Reference Letter	Part No.	Description	Qty
A	468-4	Socket Head Cap Screw	3
B	485	O-Ring	1
C	579-3	Socket Head Cap Screw	4
D	803	O-Ring	3
E	1123B-2	O-Ring	3
F	1123B-3	O-Ring	1
G	1123B-4	O-Ring	1
H	1310	O-Ring	1
J	2002A-6	Button Head Cap Screw - Nyloc	1
K	2113E-1-6	O-Ring	2
L	4111-20	Trigger Bushing	1
M	4111-21	Spring	1
N	4111-22	Trigger Actuator Pin	1
P	4111-23	Spool	1
Q	4111-24	Seal Ring	1
R	4111-25	Piston	1
S	4111-26	Valve Exhaust Cap	1
T	4111-27	Circuit Board Insulator	1
U	4111-29	Gun Wire Harness Assembly	1
V	4111-30	Air Manifold-AR Gun	1
W	4111-35	Pan Head Machine Screw	4
X	4111-36	Cover	1
Y	4111-37	Rear Cover Plate	1
Z	4111-38	Pilot Valve Gasket	1
AA	4111-40	Gun Switch PCB Assembly	1
AB	4111-42	Switch Arm Lever	1
AC	4111-43	Shoulder Screw	1
AD	4111A-31	Solenoid Valve Assembly	1
AE	4111A-8	Socket Head Set Screw	1
AF	4112-3	Tru Arc	2
AG	4130	Air Hose	1
AH	6110-10	Packing Washer	1
AJ	6111-2-3	Spool Valve Liner	1
AK	6111-2-5	O-Ring	1
AL	14111-1	Auto Gun Handle	1

AIR CYLINDER ASSEMBLY

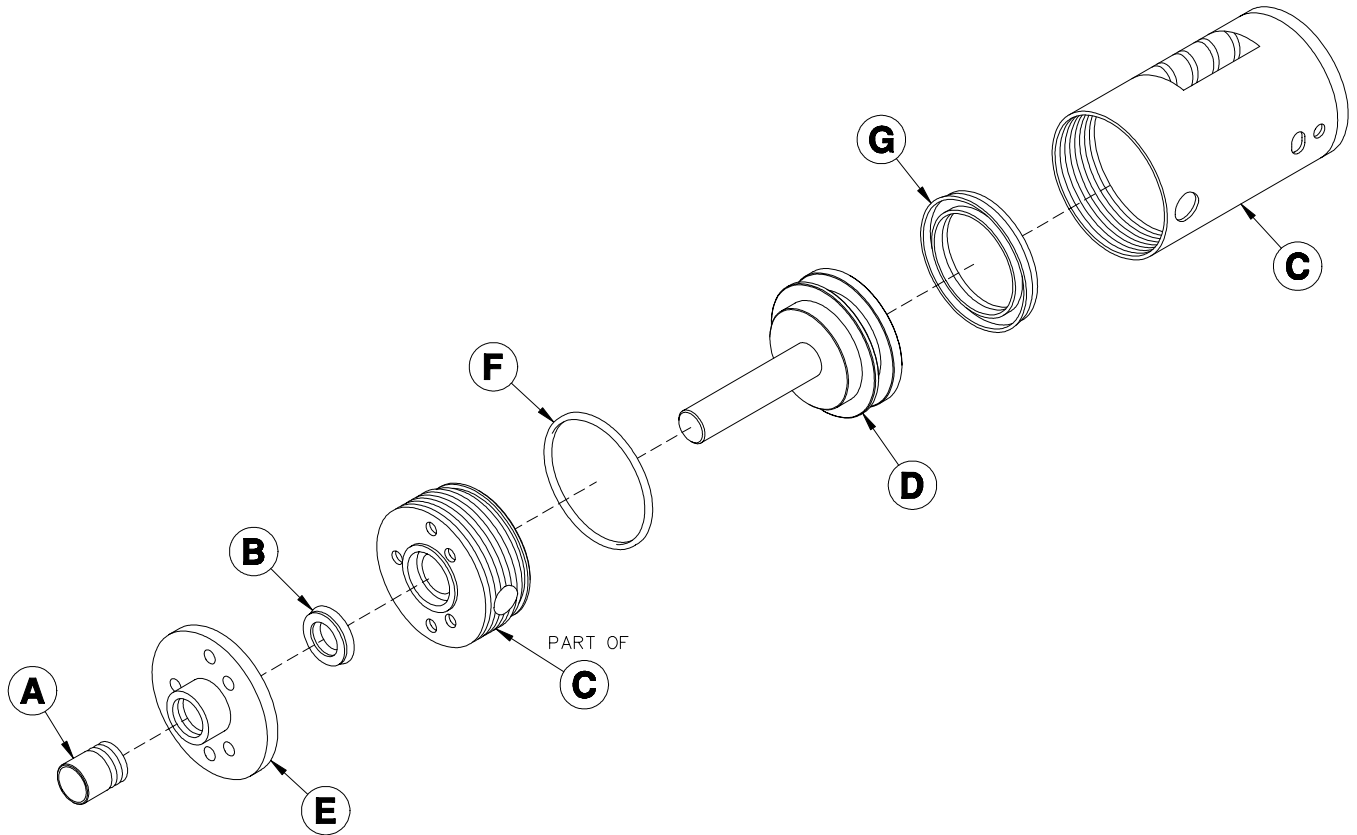


Figure 7. Air Cylinder Assembly (Part No. 4113A-C, 4113A-D Exploded View)

TABLE 10. AIR CYLINDER ASSEMBLY, (PART NO. 4113A-C, 4113A-D), PARTS

Reference Letter	Part No.	Description	Qty
A	4113-4-Size	Dust Cover	1
B	4113-5-3	U-Cup	1
C	4113A-1	Air Cylinder W/ Front & Rear Head	1
D	4113A-2-Size	Piston Assembly	1
E	4113A-3	Cylinder Flange Assembly	1
F	4113A-5-1	O-Ring	1
G	4113A-5-2	U-Cup	1
Repair Kits			
Not Shown	4113A-5	Seal Repair Kit (Includes E.F & G)	1

COUPLING BLOCK ASSEMBLY

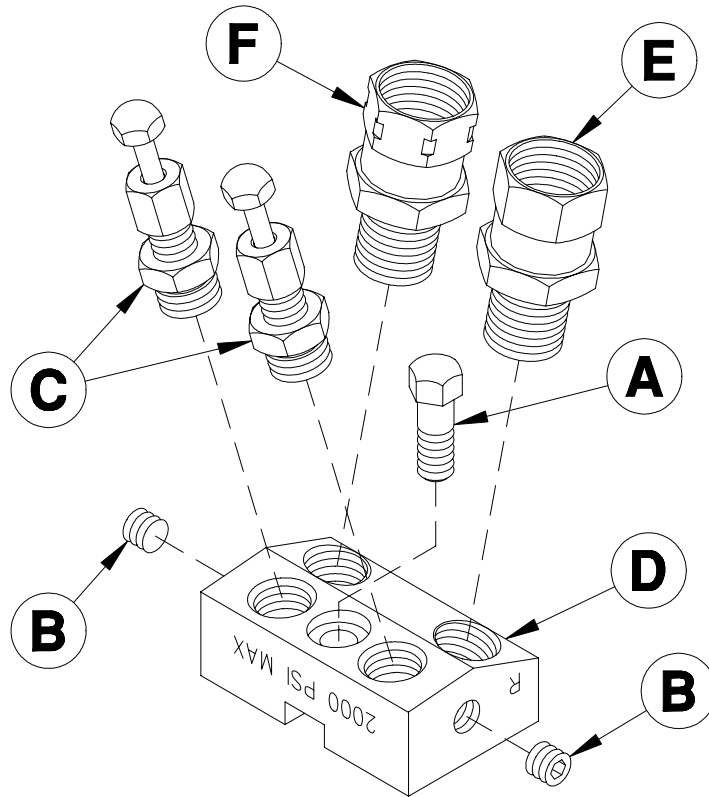


Figure 8. Coupling Block Assembly (Part No. 5140-10) Exploded View

TABLE 11. COUPLING BLOCK ASSEMBLY, (PART NO. 5140-10,), PARTS

Reference Letter	Part No.	Description	Qty
A	2140-2	Mounting Screw	1
B	3133	Flush Seal Pipe Plug	2
C	5105	Manual Valve Assembly	2
D	5140-2-10	Coupling Block (Includes "B")	1
E	5142	Fitting	1
F	5143	Fitting	1

COUPLING BLOCK ASSEMBLY

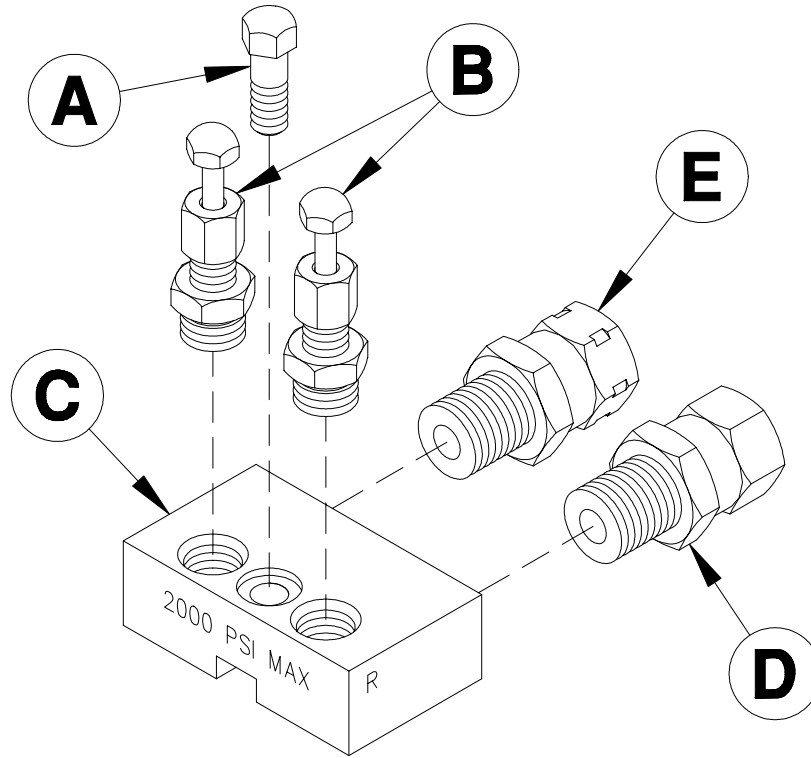


Figure 9. Coupling Block Assembly (Part No. 5140-90) Exploded View

TABLE 12. COUPLING BLOCK ASSEMBLY, (PART NO. 5140-90), PARTS

Reference Letter	Part No.	Description	Qty
A	2140-2	Mounting Screw	1
B	5105	Manual Valve Assembly	2
C	5140-1-90	Coupling Block	1
D	5142	Fitting	1
E	5143	Fitting	1

Field Number	Field Title	Description
1	Date	Enter date report is submitted.
2	Name	Enter name of person making report.
3	IM Number	Enter the Part Number of the Instruction Manual from the title page.
4	Issue Number	Enter the Issue number of the Instruction Manual from the title page. If there is no issue number, enter NONE .
5	Date of Issue	Enter the date of Issue of the Instruction Manual from the title page. If there is no issue date, enter NONE .
6	Page Number	Enter the page number containing the discrepancy
7	Discrepancy	Provide a brief description of discrepancy

NOTE: You may send a marked copy of the page as an attachment to your submittal.